



MINIATURE GREENHOUSE

Model 92050

ASSEMBLY & OPERATING INSTRUCTIONS



3491 Mission Oaks Blvd., Camarillo, CA 93011
Visit our Web Site at www.harborfreight.com

Copyright© 2004 by Harbor Freight Tools®. All rights reserved. No portion of this manual or any artwork contained herein may be reproduced in any shape or form without the express written consent of Harbor Freight Tools.

For technical questions and replacement parts please call 1-800-444-3353.

THANK YOU for choosing a **HARBOR FREIGHT TOOLS** product. For future reference, please complete the owner's record below:

Model _____ **Serial No.** _____ **Purchase Date** _____

SAVE THE RECEIPT, WARRANTY AND THESE INSTRUCTIONS. It is important that you read the entire manual to become familiar with the unit BEFORE you begin assembly.

Technical Specifications

Construction: Extruded Aluminum Frame and Transparent Tileron® plastic
Overall Dimensions: 21-1/2" Long x 16-3/4" Wide x 17-3/8" High
Window Dimensions: 4-1/4" Long x 4-1/2" Wide
Net Weight: 9 Lbs.



READ ALL INSTRUCTIONS BEFORE USING THIS PRODUCT!

Safety Warnings and Precautions

WARNING: When using product, basic safety precautions should always be followed to reduce the risk of personal injury and damage to equipment.

Read all instructions before using this product!

1. **Keep work area clean.** Cluttered areas invite injuries.
2. **Observe work area conditions.** Keep work area well lighted.
3. **Store idle equipment.** When not in use, the Greenhouse must be stored in a dry location to inhibit rust.
4. **Use the right product for the job.** There are certain applications for which the Greenhouse was designed. Do not modify the Greenhouse and do not use the Greenhouse for a purpose for which it was not intended.
5. **Check for damaged parts.** Before using any product, any part that appears damaged should be carefully checked to determine that it will operate properly and perform its intended function. Check for any broken or damaged parts and any other conditions that may affect its operation. Replace or repair damaged or worn parts immediately.
6. **Replacement parts and accessories.** When servicing, use only identical replacement parts. Use of any other parts will void the warranty.
7. **Do not operate product if under the influence of alcohol or drugs.** Read warning labels on prescriptions to determine if your judgment or reflexes are impaired while taking drugs. If there is any doubt, do not operate the product.
8. **Use eye protection.** During assembly, always wear ANSI approved impact safety goggles.

9. **Wear gloves and avoid sharp edges when assembling.**
10. **Make certain that the Greenhouse is placed on a flat, level, solid surface capable of supporting the Greenhouse.**
11. **Because of aluminum dust, be certain to wash your hands after handling the Greenhouse.**
12. **Never allow children to play with this product.** Caution: Small parts can be easily swallowed by small children.

WARNING: This product contains or, when used, produces a chemical known to the State of California to cause cancer and birth defects or other reproductive harm. (California Health & Safety Code 25249.5, et seq.)

Warning: The warnings, cautions, and instructions discussed in this instruction manual cannot cover all possible conditions and situations that may occur. It must be understood by the operator that common sense and caution are factors which cannot be built into this product, but must be supplied by the operator.

Unpacking

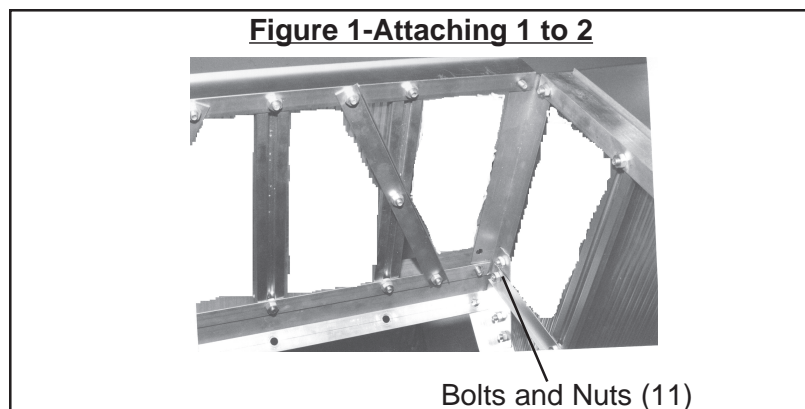
When unpacking your Miniature Greenhouse, check to make sure the following parts are included. If any parts are missing or broken, please call **HARBOR FREIGHT TOOLS** at **1-800-444-3353**.

Assembly/ Operation

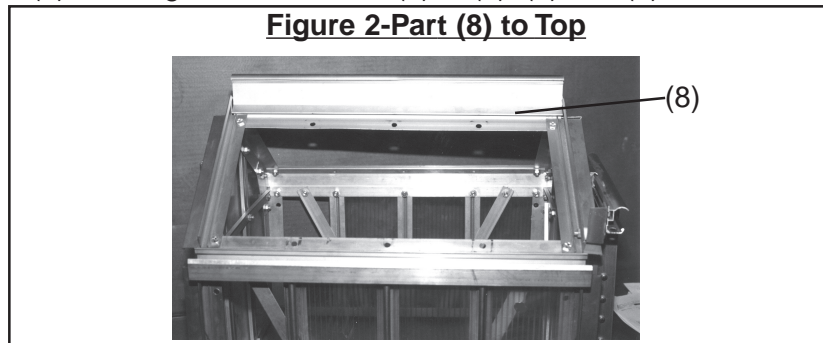
Your Miniature Greenhouse will require complete assembly prior to use. It is important that you read the entire manual to become familiar with the product BEFORE you assemble and use the Greenhouse. Before assembling and operating the Greenhouse be sure that you have all parts described in the Parts List and Assembly Diagram located on the last pages of this manual.

Note that throughout the assembly process all parts of the Greenhouse frame will be attached using the Bolts and Nuts (11) provided. Parts have been labeled with the appropriate part number to help with assembly. Refer to the assembly diagrams and figures for all steps. Do not install Windows until specified in the assembly directions.

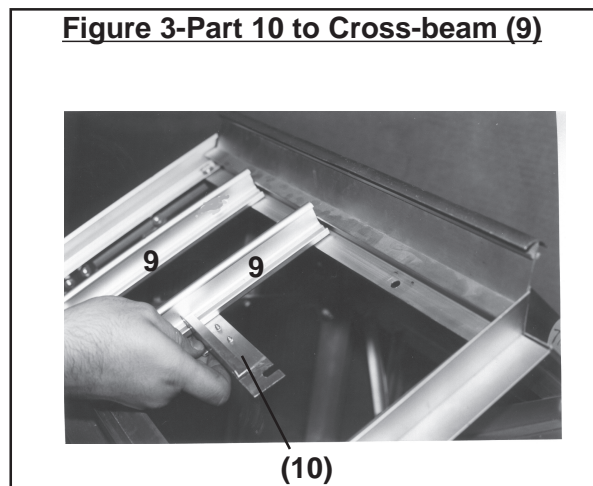
1. Attach Back (1) to both Sides (2). Make certain that all sides are square and that edges overlap appropriately. Insert Bolts (11) through each hole in the corner and thread on Nuts (11)-see Figure 1 and assembly diagrams.



2. Attach Front (3) to both Sides (2). Make certain that all sides are square and that edges overlap appropriately. Insert Bolts (11) through each hole in the corner and thread on Nuts (11)-see assembly diagrams.
3. Connect Rear (1), both Sides (2) and Front (3) (as assembled in steps 1 and 2) to Top Frame (8)- see Figure 2. Connect (8) to (1), (2) and (3) with Bolts and Nuts (11).



4. When attaching the Top Frame (8), make certain that the bolt holes at the end of the Top Frame (8) line up underneath the bolt holes of the Rear (1) and Front (3). Make certain that the Bolts (11) are inserted from the outside.
5. Set the Cross-Beams (9) so that there are three on each side of the Greenhouse. Line them up with the corresponding holes-see Figure 3 and the Assembly Diagram.



6. Attach the Window Lower Support (10) to the Center Cross-Beam (9) as shown in Figure 3. Use Nut and Bolt (11) to secure in place. The square head of the Bolt (11) will slide into place - see Figure 3.
7. Attach Window (7) to Top Frame (8). Set the Plastic Panel (7) so that it is supported by the Panel Lower Support (10) and the Top Frame (8). Test to make certain that the Small Plastic Panel (7) moves smoothly and adjusts with no problems.

Before assembling the plastic panels, remove the protective plastic covering from each one.

8. Place all of the plastic Side Panels (4) into the spaces on both walls of the Greenhouse. Set the Metal Holding Clip (12) on each side to hold the plastic Side Panels in place-see Figure 4.
9. Place seven Roof Panels (5) along the top of the Greenhouse. Place the smaller Top Roof Panel (6) into space on top of the Greenhouse (below Window (7)). Use the Metal Holding Clip (12) on each side to hold each plastic panel in place- see Figure 4.

Figure 4-Inserting Plastic Panels



Metal Holding
Clip (12)

Inspection, Maintenance and Cleaning

1. To clean, wipe with a damp cloth, using a mild detergent. Do not use cleaners that are combustible or corrosive. Dry with a clean, non-abrasive soft cloth.
2. When storing: Keep the Miniature Greenhouse in a clean, dry location.

PLEASE READ THE FOLLOWING CAREFULLY

THE MANUFACTURER AND/OR DISTRIBUTOR HAS PROVIDED THE PARTS DIAGRAM IN THIS MANUAL AS A REFERENCE TOOL ONLY. NEITHER THE MANUFACTURER NOR DISTRIBUTOR MAKES ANY REPRESENTATION OR WARRANTY OF ANY KIND TO THE BUYER THAT HE OR SHE IS QUALIFIED TO MAKE ANY REPAIRS TO THE PRODUCT OR THAT HE OR SHE IS QUALIFIED TO REPLACE ANY PARTS OF THE PRODUCT. IN FACT, THE MANUFACTURER AND/OR DISTRIBUTOR EXPRESSLY STATES THAT ALL REPAIRS AND PARTS REPLACEMENTS SHOULD BE UNDERTAKEN BY CERTIFIED AND LICENSED TECHNICIANS AND NOT BY THE BUYER. THE BUYER ASSUMES ALL RISK AND LIABILITY ARISING OUT OF HIS OR HER REPAIRS TO THE ORIGINAL PRODUCT OR REPLACEMENT PARTS THERETO, OR ARISING OUT OF HIS OR HER INSTALLATION OF REPLACEMENT PARTS THERETO.

Parts and Assembly Diagram

NO	DRAWING	QTY
1		1PCS
2		2PCS
3		1PCS
4		4PCS
5		7PCS
6		1PCS
7		1PCS
8		1PCS
9		6PCS
10		1PCS
11		30PCS
12		24PCS

Note: Some parts are listed and shown for illustration purposes only and are not available individually as replacement parts.

Assembly Diagram(Cont'd)

